

RAMJET **RJ-225 VL** **2 Cubic Yard Capacity** **Stationary Compactor**



Cost Saving Value...

Marathon's RJ-225VL Value Line Stationary Compactor: highly efficient, economical compaction equipment for today's cost conscious waste generators. The RJ-225VL provides the cost-saving benefits of solid waste compaction including labor reduction, fewer collection pick-ups, and space savings.

Superior Design & Construction...

Marathon now offers the first Side-Mounted Power unit in the industry. This new design offers the convenience and ease-of-maintenance of a remote power pack along with the space savings of an integrated power pack. Other unique design features include:

- ▼ New configuration that eliminates ALL electrical components from the inside of the compactor.
- ▼ Operator accessible Reset Button for the Motor Starter to eliminate entry into the control box.
- ▼ Advanced, simplified Two Button Operation.
- ▼ Limit Switch attached to the outside of the compactor body for ease-of-maintenance and damage protection.



The RJ-225VL's Side-Mounted Power Unit shown without weather cover. Note the Limit Switch is also on the exterior of the compactor body.

Performance...

The RJ-225VL compactor is fully automatic. Simply dump waste into the large 40 1/2" x 60" charge box opening and turn the key. After the compaction cycle completes, the unit shuts down automatically. Key operation gives the operator absolute control over compactor use, eliminating expensive sharing of waste receptacles.

The packing ram is supported by specially formulated cast iron shoes which ride on replaceable wear strips. This exclusive design protects the charge box floor from the full force of the packing ram, extending the life and dramatically reducing compaction-robbing friction.

Specifications:

Charge Box Capacity
 [Mfrs. Rating]2.0 cy1.5 m³
 Clear Top Opening40.5" X 60"1029mm x 1524mm
 Capacity Per Hour100 cy76 m³

Performance Characteristics:

Cycle Time56 s56 s
 Total Normal Force43,800 lb195 kN
 Total Maximum Force52,300 lb233 kN
 Normal Ram Face Pressure25.2 psi174 kPa
 Maximum Ram Face Pressure30.1 psi207 kPa
 Ram Penetration14"356 mm

Electrical Equipment:

Electrical Motor 3/60-208/230/460...10 hp7.4 kW
 Electrical Control Voltage120 VAC120 VAC
 UL Labeled Panel Box: Type NEMA 3R, All Circuits Fused
 Standard 2 Button Controls: Keylock Start/Mushroom Stop
 Connected to 13' Sealite

Hydraulic Equipment:

Hydraulic Pump Capacity13 gpm49 L/min.
 Normal Pressure1550 psi105 bar
 Maximum Pressure1850 psi125 bar
 Hydraulic Cylinder Bore6"152 mm
 Hydraulic Cylinder Rod2.5"102 mm

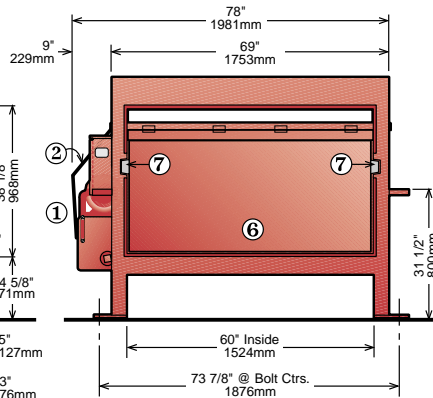
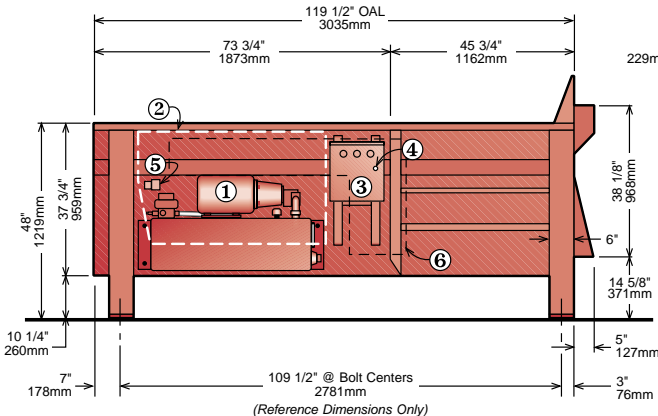
RAMJET RJ-225VL



▼ The RJ-225VL features an advanced, simplified control system with 2 button operation. It is key-operated and fully automatic. The heavy duty push button controls are contained in a weather-proof NEMA 13 enclosure. Connected to the power pack with 13' of sealite, the controls can be located for operator convenience.

Optional Features Available:

▼ The optional TrashMinder® is the most advanced method for reporting and measuring container fullness as well as for managing user access and billing. For a detailed description see Marathon's TrashMinder® brochure.

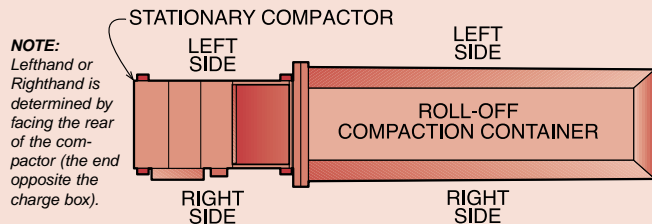


- ① Side-Mount Power Unit
- ② Power Unit Weather Cover
- ③ Motor Control Panel
- ④ Motor Starter Reset Button
- ⑤ Limit Switch
- ⑥ Ram
- ⑦ Ram Guide Shoes with Replaceable Wear Strips

Concrete Pad Requirements

6" (152mm) Thick Reinforced 3000 PSI Concrete (4) 3/4" (20mm) Anchor Bolts (Min.)

Top View of Typical Compactor & Container Configuration



- ▼ Multi-cycle timer, dual controls, ozone odor control system, hoppers and many other options are also available as well as a full line of compaction containers.
- ▼ Chutes can be constructed to meet your specifications and needs. They reduce the risk of pilferage of valuable merchandise or tools by eliminating a person's ability to hide items in the trash in order to recover them later from the waste receptacle.



AUTHORIZED DEALER:

1042 E. Fort Union #260
 Midvale, UT, 84047
 Ph. 801-565-1033
 fax 280-565-1044

Action Compaction Equipment www.actioncompaction.com



Pictures in this literature are illustrative only. Specifications are subject to change without notice in order to accommodate improvements to the equipment. Certified in compliance with ANSI Regulation Z245.2, all OSHA standards, and certified under WASTEC's Stationary Compactor Certification Program. Products must be used with safe practice and in accordance with said regulations and standards.