

RJ-275 & RJ-275XHD Stationary Compactors



RJ-275

RJ-275XHD



Malls

*Light industrial and
Heavy commercial*

*Distribution centers
and warehouses*

Shopping centers

RJ-275 Stationary Compactor

Marathon's Ramjet RJ-275 is your best 2.5 cubic yard capacity compactor value. Built for reliable performance in commercial and medium industrial applications, it effectively reduces solid waste material to a fraction of its original size. It features a 60-second cycle time and a powerful 55,100 pounds (24,993 kg) of compaction force.



Engineered for Durability

The RJ-275 is stress-engineered for durability. This means the strength is where it belongs—like the half-inch charge box floor reinforced with five heavy-duty steel channels, the half-inch plate ram face backed with 10-inch (254mm) plus 6-inch (152mm) structural channels, and the extra rugged reinforced sides.

RJ-275XHD Hi-Force Heavy-Duty Stationary Compactor

Marathon's Ramjet RJ-275XHD produces more than 92,400 pounds (41.73 kg) of force assuring top performance in heavy commercial and industrial applications. The RJ-275XHD is unique to other compactors in its class, providing a large 60-inch wide (1524mm) by 52-inch (1321mm) long clear top opening and a 33-inch (838mm) deep charge box – a convenient feature at peak loading times or when compacting bulky items.



The RJ-275 features a side-mounted power unit for convenience and ease-of-maintenance.

It eliminates the need to go inside the compactor for most repairs.



The RJ-275XHD uses a remote power unit with controls that are key-operated and fully automatic. The heavy-duty pushbutton controls are contained in a weatherproof NEMA 13 enclosure.



Heavy-Duty Design

The RJ-275XHD is stress-engineered for durability. This means the strength is where it belongs—like the half-inch charge box floor reinforced with heavy-duty steel channels, 3/4-inch steel plate ram face backed with structural channels, and extra rugged reinforced sides.

- ✔ Dual controls, ozone odor control system, hoppers, and many other options are also available as well as a full-line of compaction containers.
- ✔ Chutes can be constructed to meet your specifications and needs. They reduce the risk of pilferage of valuable merchandise or tools by eliminating a person's ability to hide items in the trash in order to recover them later from the waste receptacle.

Images shown with optional equipment



Ram Guide System

The packing ram is supported by specially formulated cast iron shoes which ride on replaceable wear strips. This

exclusive design protects the charge box floor from the full force of the packing ram, extending its life and dramatically reducing compaction-robbing friction.

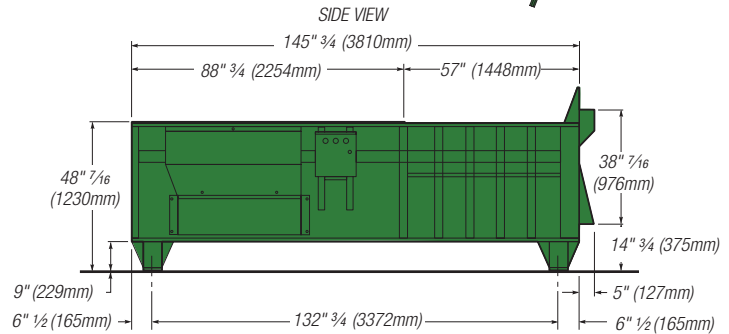
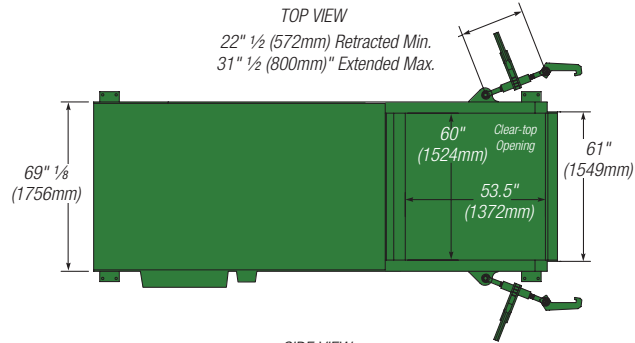
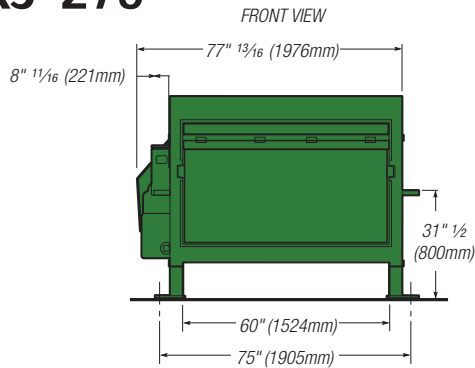
Control Station

The RJ-275 and RJ-275XHD feature an advanced, simplified 2-button control system. It is key-operated, fully automatic and contained in a weatherproof NEMA 4 enclosure. Connected to the power pack with 13-foot (3.96m) of Seallite®, the controls can be located for operator convenience.



Dimensions

RJ-275



RJ-275XHD

